

RAMSES 709

Item no.: 7090001

theben

Climate control
Room thermostats

Description

- Room temperature controller with thermal feedback
- Also suitable for air conditioning equipment
- Heating/cooling changeover contact
- 3-way selector switch for: comfort mode, reduction mode, external reduction
- Indicator lamp
- External temperature reduction (approx. 4 K) possible via control with time switch
- Suitable for all types of heating, e.g. gas, water, electric heating with central/individual room control
- Setting controller with mechanical setting limit or detection



Technical data

RAMSES 709	
Operating voltage	230 – 240 V AC
Frequency	50 – 60 Hz
Type of contact	Changeover contact
Switching capacity	Heating: 10 A (at 230 V AC, $\cos \varphi = 1$), Heating: 4 A (at 230 V AC, $\cos \varphi = 0.6$), Cooling: 5 A (at 230 V AC, $\cos \varphi = 1$), Cooling: 2 A (at 230 V AC, $\cos \varphi = 0.6$)
Setting range temperature	5°C ... 30°C
Function	Mechanical

RAMSES 709	
Hysteresis	√
Control accuracy	approx. 1 K, thermal recirculation
Test approval	VDE
Colour	White
Installation type	Surface-mounted
Type of protection	IP 30
Protection class	II according to EN 60 730-1

Subject to technical changes and misprints

additional information at: www.theben.de/product/7090001

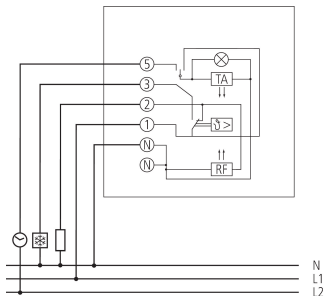
The load data are determined with exemplary selected illuminants and are therefore typical data due to the large number of available products.

RAMSES 709

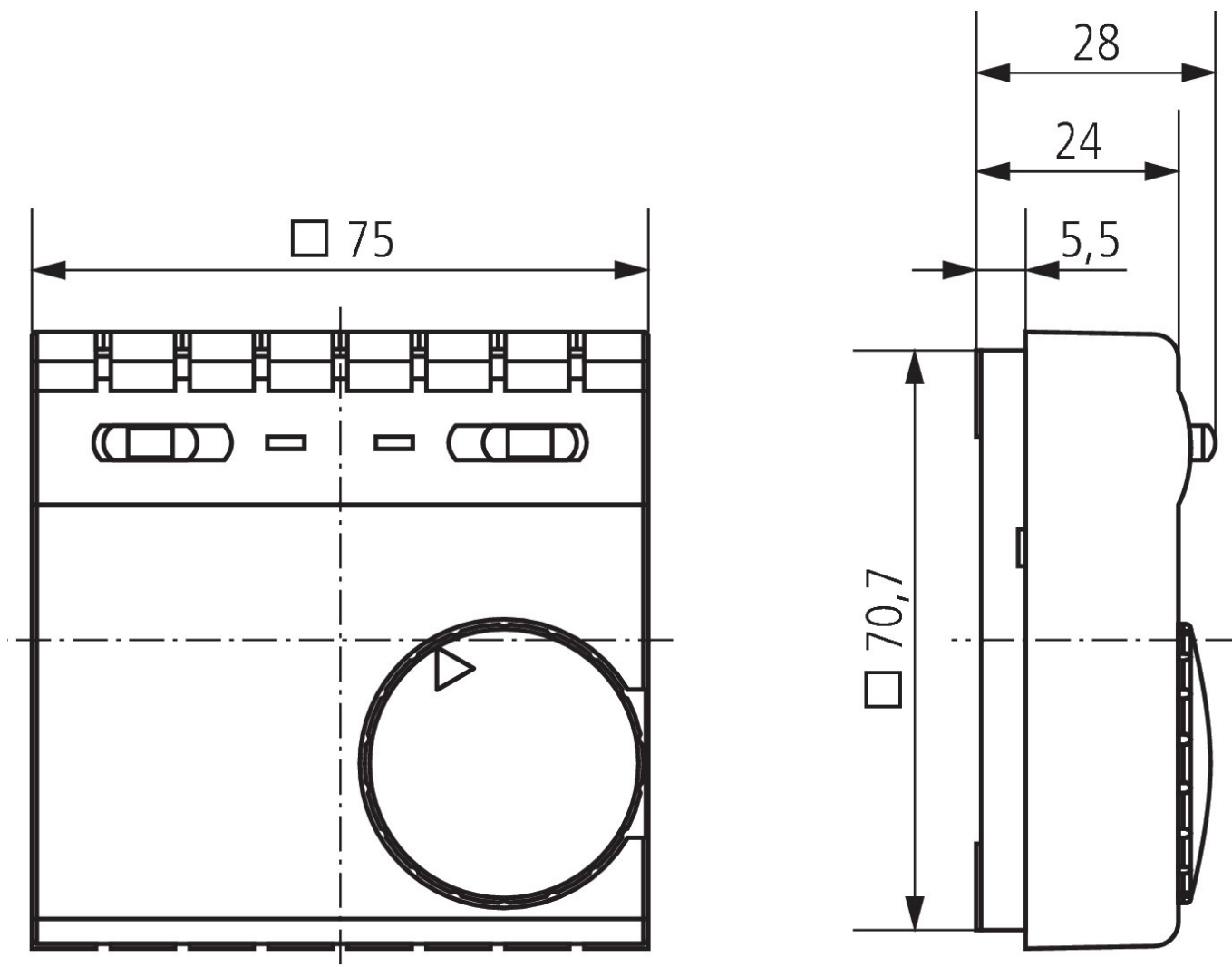
Item no.: 7090001

theben

Connection example



Scale drawings



Subject to technical changes and misprints

additional information at: www.theben.de/product/7090001

The load data are determined with exemplary selected illuminants and are therefore typical data due to the large number of available products.

05/08/2022

Page 2 of 3

RAMSES 709

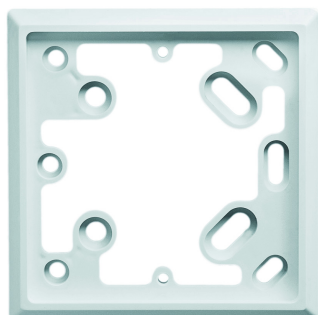
Item no.: 7090001

theben

Accessories

Adapter plate RAMSES 70x

Item no.: 9070480



Actuator ALPHA 5 230 V

Item no.: 9070441



Subject to technical changes and misprints

additional information at: www.theben.de/product/7090001

The load data are determined with exemplary selected illuminants and are therefore typical data due to the large number of available products.

05/08/2022

Page 3 of 3